

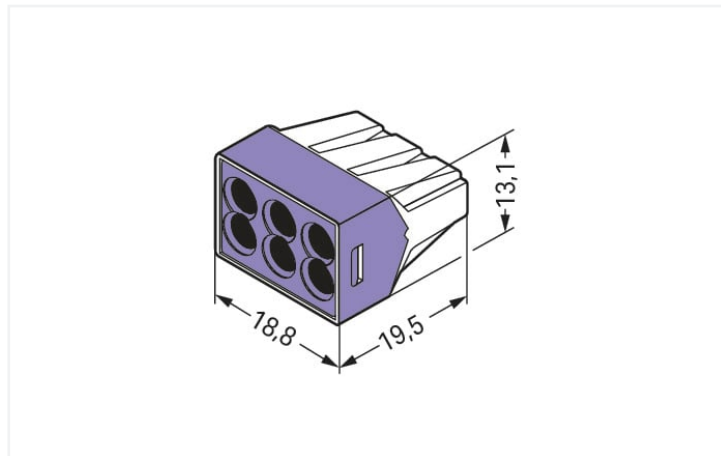
## Data Sheet | Item Number: 773-106

Conector PUSH WIRE® pentru cutii de conexiuni; pentru conductori masivi, monofilari; max. 2,5 mm<sup>2</sup>; 6 conductori; carcasa transparenta; capac violet; Temperatura aer ambiant: max 60°C; 2,50 mm<sup>2</sup>; multicolor

<https://www.wago.com/773-106>



Color:  multicolor



Dimensions in mm

### Notes

Safety information

in grounded power lines

### Electrical data

Ratings per	IEC/EN 60664-1		
Overvoltage category	III	III	II
Pollution degree	3	2	2
Nominal voltage	-	-	400 V
Rated surge voltage	-	-	4 kV
Rated current	-	-	24 A

### Connection data

Connection points	6
Total number of potentials	1

### Connection 1

Connection technology	PUSH WIRE®
Actuation type	Push-in
Connectable conductor materials	Copper Aluminum

## Connection 1

Connectable conductor materials (note)

### Terminating Aluminum Conductors

WAGO spring clamp terminal blocks are suitable for solid aluminum conductors up to 4 mm<sup>2</sup>/12 AWG if WAGO "Alu-Plus" Contact Paste [249-130](https://www.wago.com/249-130) is used for termination.

"Alu-Plus" Contact Paste Advantages:

- Automatically destroys the oxide film during clamping.
- Prevents fresh oxidation at the clamping point.
- Prevents electrolytic corrosion between aluminum and copper conductors (in the same terminal block).
- Provides long-term protection against corrosion.

For spring clamp connections with PUSH WIRE® connection technology, **WAGO recommends that the aluminum conductor first be cleaned** and then immediately inserted into the clamping unit filled with "Alu-Plus" contact paste.

It is also possible to apply WAGO "Alu-Plus" **additionally** on the whole surface of the aluminum conductor before termination.

Please note that the nominal currents must be adapted to the reduced conductivity of the aluminum conductors::

2.5 mm<sup>2</sup> = 16 A

4 mm<sup>2</sup> = 22 A

Solid conductor	0,75 ... 2,5 mm <sup>2</sup> / 18 ... 12 AWG
Stranded conductor	1,5 ... 2,5 mm <sup>2</sup> / 16 ... 12 AWG
Note (conductor cross-section)	When using conductors of the same diameter, 0.75 mm <sup>2</sup> /18 AWG cross-section is also possible.
Strip length	12 mm / 0.47 inci
Wiring direction	Side-entry wiring

## Physical data

Width	18,8 mm / 0.74 inci
Height	13,1 mm / 0.516 inci
Depth	19,5 mm / 0.768 inci

## Material data

Note (material data)	<a href="https://www.wago.com/us/material-specifications">Information on material specifications can be found here</a>
Color	multicolor
Cover color	violet
Flammability class per UL94	V2
Fire load	0.076 MJ
Weight	3.5 g

### Environmental requirements

Ambient temperature (operation)	+60 °C
Continuous operating temperature	105 °C

### Commercial data

Product Group	7 (Push Wire Conn.)
eCl@ss 10.0	27-14-11-04
eCl@ss 9.0	27-14-11-04
ETIM 8.0	EC000446
ETIM 7.0	EC000446
PU (SPU)	500 (50) Buc.
Packaging type	Box
Country of origin	CN
GTIN	4044918397681
Customs tariff number	85369010000

### Environmental Product Compliance

RoHS Compliance Status	Compliant, No Exemption
------------------------	-------------------------

### Approvals / Certificates

#### General approvals



Approval	Standard	Certificate Name
CCA UL International Demko A/ S	EN 60998	CCA-DK No. 2520
CSA DEKRA Certification B.V.	C22.2	15411 (LR46759)
KEMA/KEUR DEKRA Certification B.V.	EN 60998	71-101747
ÖVE Österreichischer Verband für Elektrotechnik	EN 60998	1193-031-09
UL UL International Germany GmbH	UL 486C	E69654
UL UL International Germany GmbH	EN 60998	D-03479-A1

#### Declarations of conformity and manufacturer's declarations

Approval	Standard	Certificate Name
EU-Declaration of Confor- mity WAGO GmbH & Co. KG	-	-
UK-Declaration of Confor- mity WAGO GmbH & Co. KG	-	-

### Approvals for marine applications



Approval	Standard	Certificate Name
ABS American Bureau of Ship- ping	-	18-HG1755093-PDA
BV Bureau Veritas S.A.	EN 60998	11914/D0 BV
DNV GL Det Norske Veritas, Ger- manischer Lloyd	EN 60998	TAE000015T
LR Lloyds Register	EN 60998	LR22207029TA

## Downloads

### CAD/CAE-Data

#### CAE data

WSCAD Universe  
773-106



## 1 Compatible Products

### 1.1 Optional Accessories

#### 1.1.1 Mounting adapter

##### 1.1.1.1 Mounting accessories



**Item No.: 773-332**

Suport de montaj; Seria 773 - 2,5 mm<sup>2</sup> / 4 mm<sup>2</sup> / 6 mm<sup>2</sup>; pt mont. pe șină DIN 35/ montare cu șurub; portocaliu

#### 1.1.2 Tool

##### 1.1.2.1 "Alu-Plus" contact paste



**Item No.: 249-130**

Seringă; Conținut: 20 ml de pastă de contact „Alu-Plus”