

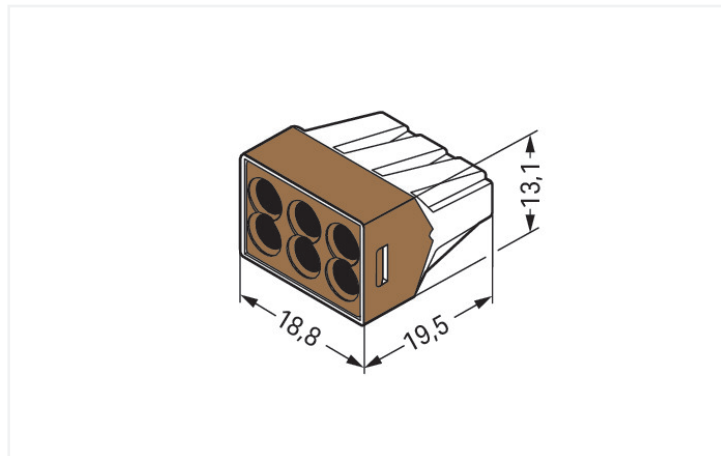
## Data Sheet | Item Number: 773-606

Conector PUSH WIRE® pentru cutii de conexiuni; pentru conductori unifilari; max. 4 mm<sup>2</sup>; 6 conductori; Carcasă maro deschis; capac maro; Temperatură aer ambiant: max 60°C; 2,50 mm<sup>2</sup>; multicolor

<https://www.wago.com/773-606>



Color:  multicolor



Dimensions in mm

### Electrical data

#### Ratings per IEC/EN

Ratings per	IEC/EN 60664-1
Nominal voltage (II/2)	400 V
Rated surge voltage (II/2)	4 kV
Rated current	32 A
Legend (ratings)	(II / 2) $\triangleq$ Overvoltage category II / Pollution degree 2

### Connection data

Connection points	6
Total number of potentials	1

#### Connection 1

Connection technology	PUSH WIRE®
Actuation type	Push-in
Connectable conductor materials	Copper Aluminum

## Connection 1

Connectable conductor materials (note)

### Terminating Aluminum Conductors

WAGO spring clamp terminal blocks are suitable for solid aluminum conductors up to 4 mm<sup>2</sup>/12 AWG if WAGO "Alu-Plus" Contact Paste [249-130](https://www.wago.com/249-130) is used for termination.

"Alu-Plus" Contact Paste Advantages:

- Automatically destroys the oxide film during clamping.
- Prevents fresh oxidation at the clamping point.
- Prevents electrolytic corrosion between aluminum and copper conductors (in the same terminal block).
- Provides long-term protection against corrosion.

For spring clamp connections with PUSH WIRE® connection technology, **WAGO recommends that the aluminum conductor first be cleaned** and then immediately inserted into the clamping unit filled with "Alu-Plus" contact paste.

It is also possible to apply WAGO "Alu-Plus" **additionally** on the whole surface of the aluminum conductor before termination.

Please note that the nominal currents must be adapted to the reduced conductivity of the aluminum conductors::

2.5 mm<sup>2</sup> = 16 A

4 mm<sup>2</sup> = 22 A

Solid conductor

1,5 ... 4 mm<sup>2</sup>

Wiring direction

Side-entry wiring

## Physical data

Width 18,8 mm / 0.74 inci

## Material Data

Note (material data)

[Information on material specifications can be found here](#)

Color multicolor

Cover color brown

Flammability class per UL94 V2

Fire load 0.075 MJ

Weight 3.5 g

## Commercial data

Product Group 7 (Push Wire Conn.)

eCl@ss 10.0 27-14-11-04

eCl@ss 9.0 27-14-11-04

ETIM 8.0 EC000446

ETIM 7.0 EC000446

PU (SPU) 500 (50) Buc.

Packaging type Box

Country of origin CN

GTIN 4055143088671

Customs tariff number 85369010000

## Approvals / Certificates

### General approvals



Approval	Standard	Certificate Name
UL UL International Germany GmbH	EN 60998	D-03479-A1

### Approvals for marine applications



Approval	Standard	Certificate Name
ABS American Bureau of Shipping	-	18-HG1755093-PDA

## Downloads

### Documentation

#### Bid Text

773-606	17.05.2017	doc 25.00 KB	<a href="#">↓</a>
773-606	19.02.2019	xml 3.28 KB	<a href="#">↓</a>
ausschreiben.de 773-606			<a href="#">↓</a>

## 1 Compatible Products

### 1.1 Optional Accessories

#### 1.1.1 Mounting adapter

##### 1.1.1.1 Mounting accessories



#### Item No.: 773-332

Suport de montaj; Seria 773 - 2,5 mm<sup>2</sup> / 4 mm<sup>2</sup> / 6 mm<sup>2</sup>; pt mont. pe șină DIN 35/ montare cu șurub; portocaliu

#### 1.1.2 Tool

##### 1.1.2.1 "Alu-Plus" contact paste

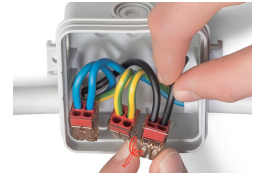
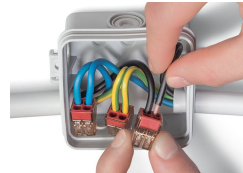
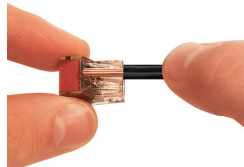
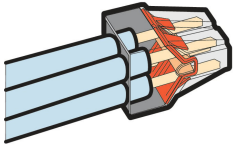


#### Item No.: 249-130

Seringă; Conținut: 20 ml de pastă de contact „Alu-Plus”

## Installation Notes

### Conductor termination



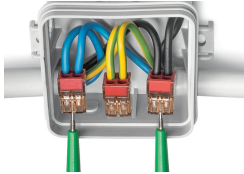
PUSH WIRE® Connector for Junction Boxes, 773 Series

Strip a solid conductor to 12 mm (0.47 inch).

Termination: Insert the stripped solid conductor until it hits the backstop.

Removal: Hold conductor to be removed and twist alternately left and right while pulling the connector.

### Testing



Testing via test port opposite to conductor entry.