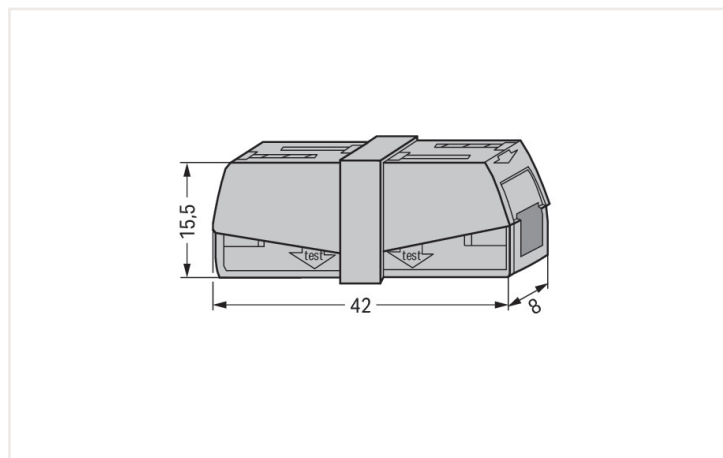


Fișă tehnică | Număr articol: 224-201

Conector de service; buton cu reținere pe ambele părți; Parte iluminare: pt toate tipurile cond.; Parte inst.: pt conductori masivi; Seria 224; max. 2,5 mm²; Temperatura aer ambiant: max 60°C; 2,50 mm²; gri



Dimensions in mm

Notes

Safety information 1

in grounded power lines

Electrical data

Ratings per IEC/EN

Ratings per	EN 60664
Nominal voltage (II/2)	400 V
Rated surge voltage (II/2)	4 kV
Rated current	24 A
Legend (ratings)	(II / 2) \triangleq Overvoltage category II / Pollution degree 2

Connection data

Total number of connection points	2
Total number of potentials	1

Connection 1

Connection technology	CAGE CLAMP®
Actuation type	Push-in
Connectable conductor materials	Copper Aluminum

Connection 1

Connectable conductor materials (note)

Terminating Aluminum Conductors

WAGO spring clamp terminal blocks are suitable for solid aluminum conductors up to 4 mm²/12 AWG if WAGO "Alu-Plus" Contact Paste [249-130](#) is used for termination.

"Alu-Plus" Contact Paste Advantages:

- Automatically destroys the oxide film during clamping.
- Prevents fresh oxidation at the clamping point.
- Prevents electrolytic corrosion between aluminum and copper conductors (in the same terminal block).
- Provides long-term protection against corrosion.

Using terminal blocks with CAGE CLAMP® Spring Pressure Connection Technology, **aluminum conductors must first be cleaned with a blade** and then immediately be inserted into the clamping units filled with "Alu-Plus" Contact Paste.

It is also possible to apply WAGO "Alu-Plus" **additionally** on the whole surface of the aluminum conductor before termination.

Please note that the nominal currents must be adapted to the reduced conductivity of the aluminum conductors::

2.5 mm² = 16 A

4 mm² = 22 A

Solid conductor	0,5 ... 2,5 mm ² / 20 ... 16 AWG
Fine-stranded conductor	0,5 ... 2,5 mm ² / 20 ... 16 AWG
Strip length	9 ... 11 mm / 0.35 ... 0.43 inci
Wiring direction	Side-entry wiring

Physical data

Width	8 mm / 0.315 inci
Height	15,5 mm / 0.61 inci
Depth	42 mm / 1.654 inci

Material data

Note (material data)	Information on material data can be found here
Color	gri
Fire load	0.097 MJ
Weight	4.6 g

Environmental requirements

Ambient temperature (operation)	+60 °C
---------------------------------	--------

Commercial data

eCl@ss 10.0	27-14-11-03
eCl@ss 9.0	27-14-11-03
ETIM 8.0	EC000447
ETIM 7.0	EC000447
PU (SPU)	50 Stück
Packaging type	Box
Country of origin VKOrg Germany	CH
GTIN	4044918818407
Customs tariff number VKOrg Germany	8536901000

Aprobări / certificate

Certificări locale specifice



Aprobare	Gama standard	Nume certificat
CSA DEKRA Certification B.V.	C22.2	1053495
VDE VDE Prüf- und Zertifizierungsinstitut	EN 60998	40022792

Certificări transport



Aprobare	Gama standard	Nume certificat
ABS American Bureau of Shipping	-	18-HG1755093-PDA
BV Bureau Veritas S.A.	EN 60998	11914/D0 BV
DNV GL Det Norske Veritas, Germanischer Lloyd	EN 60998	TAE000015T
LR Lloyds Register	EN 60998	04/20013 (E8)

UL-Approvals



Aprobare	Gama standard	Nume certificat
UL UL International Germany GmbH	EN 60998	CCA-2617-A1
UL UL International Germany GmbH	EN 60998	D-05895-A1 (EN60998-1 EN60998-2-2)
UL UL International Germany GmbH	UL 486C	E69654

Descărcări

Documentation

Additional Information		
Technical Section	pdf 2142.18 KB	↓

Bid Text			
224-201	19.02.2019	xml 3.12 KB	↓
224-201	21.02.2019	docx 15.18 KB	↓

CAD/CAE-Data

CAD data	
2D/3D Models 224-201	↓

CAE data	
EPLAN Data Portal 224-201	↓
WSCAD Universe 224-201	↓
ZUKEN Portal 224-201	↓

1 Produse compatibile

1.1 Accesorii opționale

1.1.1 Tool

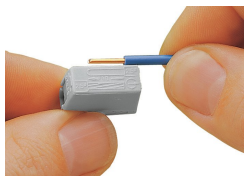
1.1.1.1 "Alu-Plus" contact paste



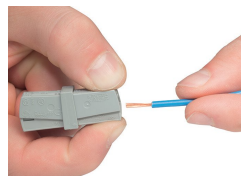
Nr. articol: 249-130
 Seringă; Conținut: 20 ml de pastă de contact „Alu-Plus”

Note de instalare

Conductor termination



Strip conductor to 9 ... 11 mm (0.35 ... 0.43 inch).



To connect: Press button fully, insert stripped conductor into square entry and release.

Application



Service connector