

■ Main branch terminal 35 mm<sup>2</sup>



■ SCHRACK-INFO

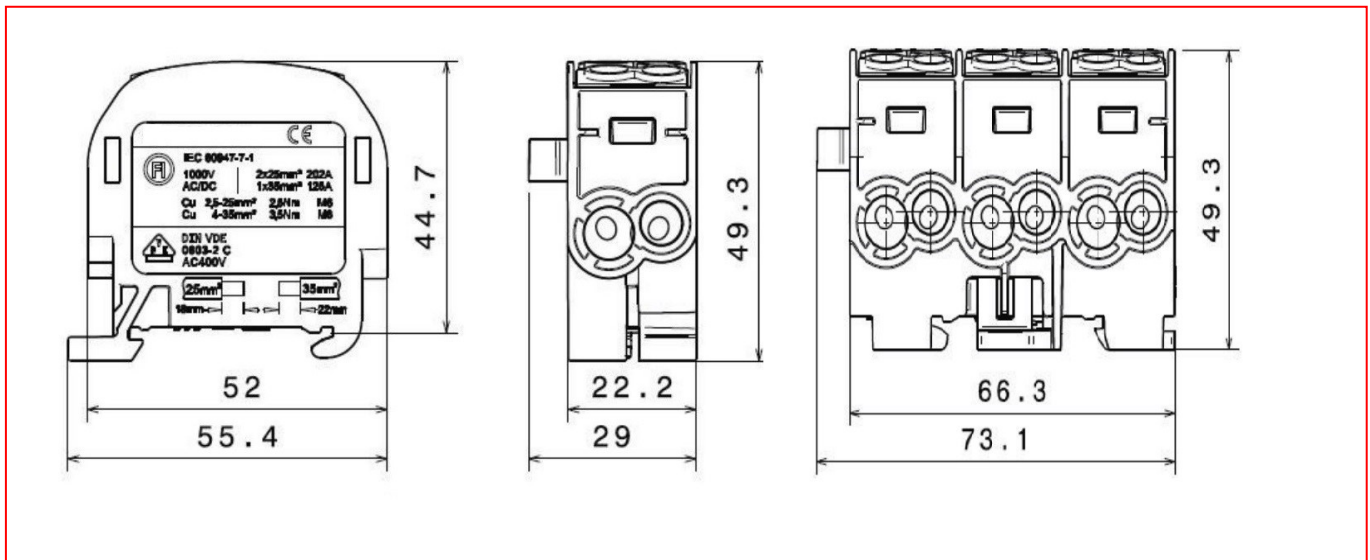
- Suitable for copper conductors
- All side protection against direct contact
- Stackable

■ Technical data

Regulations:	According to IEC 60947-7-1, IEC 61238-1 (Class A)		
Nominal voltage:	1.000 V AC / 1.000 V DC		
Current rating:	Cu	202 A (2x25mm <sup>2</sup> ) according IEC 60947-7-1	
		125 A (1x35mm <sup>2</sup> ) according IEC 60947-7-1	
		checked with SGS Fimko Ltd	
Cross sections:	round conductors	solid and stranded	stranded wire with ferrule
	2 x 35mm <sup>2</sup>	4 – 35 mm <sup>2</sup>	2,5 – 25 mm <sup>2</sup>
	Stripping length	22 mm	
	Cross recessed screw	M8 /PZ2	
	Tightening torque	3,5 Nm	
	2 x 25 mm <sup>2</sup>	2,5 – 25 mm <sup>2</sup>	1,5 – 16 mm <sup>2</sup>
	Stripping length	19 mm	
	Cross recessed screw	M6 /PZ2	
	Tightening torque	2,5 Nm	

Materials:	Terminal Body:	Brass (CuZn39Pb2)
	Housing:	PA 6 (Halogen Free)
	Screws:	steel, zinc thick film passivated
Flame resistance:		self extinguishing
Mechanical Data:	Dimensions (WxHxD):	1 pole: 29mm x 49,3mm x 55,4mm 3 pole: 73,1mm x 49,3mm x 55,4mm

**■** Dimensions



**■** Articles

Description	Order No.
Main branch terminal , 35mm <sup>2</sup> , 1p. isolated, grey	IK026210--
Main branch terminal , 35mm <sup>2</sup> , 1p. isolated, blue	IK026220--
Main branch terminal , 35mm <sup>2</sup> , 3p. isolated, PE	IK026230--
Main branch terminal , 35mm <sup>2</sup> , 3p. isolated	IK026283--