

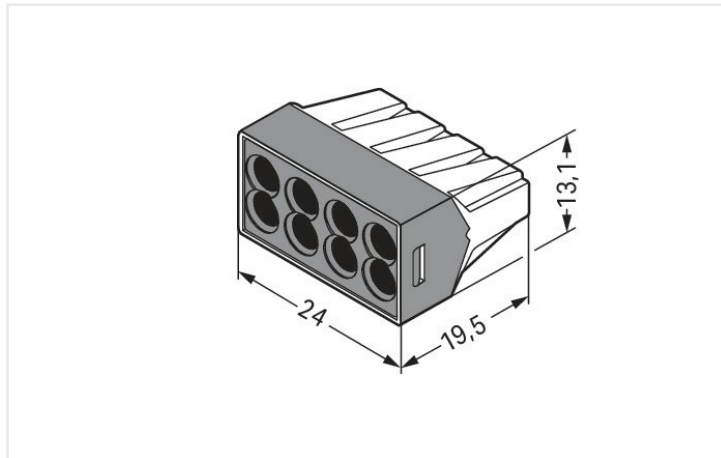
Fișă tehnică | Număr articol: 773-108

Conector PUSH WIRE® pentru cutii de conexiuni; pentru conductori masivi, monofilari; max. 2,5 mm²; 8 conductori; carcasă transparentă; capac gri închis; Temperatura aer ambiant: max 60°C; 2,50 mm²; multicolor

<https://www.wago.com/773-108>



Culoare: multicolor



Dimensions in mm

Notes

Safety information 1

in grounded power lines

Electrical data

Ratings per IEC/EN

Ratings per	IEC/EN 60664-1
Nominal voltage (II/2)	400 V
Rated surge voltage (II/2)	4 kV
Rated current	24 A
Legend (ratings)	(II / 2) ≙ Overvoltage category II / Pollution degree 2

Connection data

Total number of connection points	8
Total number of potentials	1

Connection 1

Connection technology	PUSH WIRE®
Actuation type	Push-in
Connectable conductor materials	Copper Aluminum

Connection 1

Connectable conductor materials (note)

Terminating Aluminum Conductors

WAGO spring clamp terminal blocks are suitable for solid aluminum conductors up to 4 mm²/12 AWG if WAGO "Alu-Plus" Contact Paste [249-130](#) is used for termination.

"Alu-Plus" Contact Paste Advantages:

- Automatically destroys the oxide film during clamping.
- Prevents fresh oxidation at the clamping point.
- Prevents electrolytic corrosion between aluminum and copper conductors (in the same terminal block).
- Provides long-term protection against corrosion.

For spring clamp connections with PUSH WIRE® connection technology, **WAGO recommends that the aluminum conductor first be cleaned** and then immediately inserted into the clamping unit filled with "Alu-Plus" contact paste.

It is also possible to apply WAGO "Alu-Plus" **additionally** on the whole surface of the aluminum conductor before termination.

Please note that the nominal currents must be adapted to the reduced conductivity of the aluminum conductors::

2.5 mm² = 16 A

4 mm² = 22 A

Solid conductor	0,75 ... 2,5 mm ² / 18 ... 12 AWG
Stranded conductor	1,5 ... 2,5 mm ² / 16 ... 12 AWG
Note (conductor cross-section)	When using conductors of the same diameter, 0.75 mm ² /18 AWG cross-section is also possible.
Strip length	12 mm / 0.47 inci
Wiring direction	Side-entry wiring

Physical data

Width	24 mm / 0.945 inci
Height	13,1 mm / 0.516 inci
Depth	19,5 mm / 0.768 inci

Material data

Note (material data)	Information on material data can be found here
Color	multicolor
Cover color	dark gray
Flammability class per UL94	V2
Fire load	0.098 MJ
Weight	4.6 g

Environmental requirements

Ambient temperature (operation)	+60 °C
---------------------------------	--------

Commercial data

Product Group	7 (Push Wire Conn.)
eCl@ss 10.0	27-14-11-04
eCl@ss 9.0	27-14-11-04
ETIM 7.0	EC000446
ETIM 6.0	EC000446
PU (SPU)	500 (50) Stück
Packaging type	Box
Country of origin VKOrg Germany	CN
GTIN	4044918397735
Customs tariff number VKOrg Germany	85369010000

Aprobări / certificate

Certificări locale specifice



Aprobare	Gama standard	Nume certificat
CCA UL International Demko A/S	EN 60998	CCA-DK No. 2520
CSA DEKRA Certification B.V.	C22.2	15411 (LR46759)
KEMA/KEUR DEKRA Certification B.V.	EN 60998	71-101747
ÖVE Österreichischer Verband für Elektrotechnik	EN 60998	1193-031-09

Certificări transport



Aprobare	Gama standard	Nume certificat
ABS American Bureau of Shipping	-	18-HG1755093-PDA
BV Bureau Veritas S.A.	EN 60998	11914/D0 BV
DNV GL Det Norske Veritas, Germanischer Lloyd	EN 60998	TAE000015T
LR Lloyds Register	EN 60998	04/20013 (E8)

UL-Approvals



Aprobare	Gama standard	Nume certificat
UL UL International Germany GmbH	UL 486C	E69654
UL UL International Germany GmbH	EN 60998	D-03479-A1





Descărcări

Documentation

Additional Information

Technical Section	pdf 2142.18 KB	
-------------------	-------------------	---

CAD/CAE-Data

CAD data	CAE data
2D/3D Models 773-108 	EPLAN Data Portal 773-108 
	WSCAD Universe 773-108 
	ZUKEN Portal 773-108 

1 Produse compatibile

1.1 Accesorii opționale

1.1.1 Mounting adapter

1.1.1.1 Mounting accessories

**Nr. articol:** [773-332](#)

Suport de montaj; Seria 773 - 2,5 mm² / 4 mm² / 6 mm²; pt mont. pe șină DIN 35/ montare cu șurub; portocaliu

1.1.2 Tool

1.1.2.1 "Alu-Plus" contact paste

**Nr. articol:** [249-130](#)

Seringă; Conținut: 20 ml de pastă de contact „Alu-Plus”